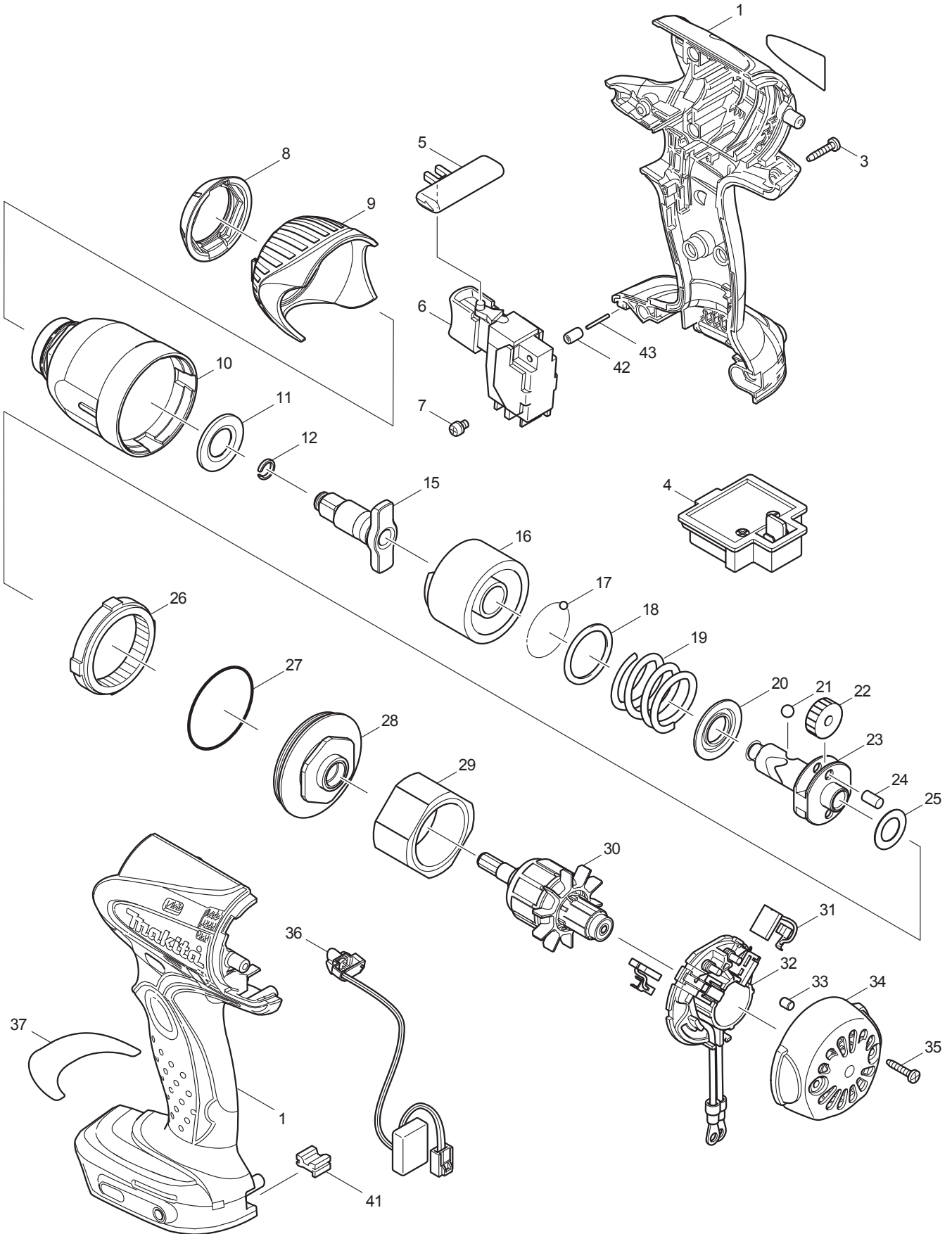




09 - 2011  
BTW253 / BTW253Z / BTW253F  
18V IMPACT WRENCH, 3/8" HEX



Item No	Type	Ref	Ref Part No	Description	Qty	Unit
1			188243-5	HOUSING SET	1	SET
		INC.	263005-3	RUBBER PIN 6	2	PC.
3			266130-9	TAPPING SCREW BIND PT 3X16	8	PC.
4	1		643812-4	* TERMINAL, BLACK	1	PC.
	2		643843-3	* TERMINAL, YELLOW	1	PC.
	3		643852-2	* TERMINAL	1	PC.
5			419041-9	F/R CHANGE LEVER	1	PC.
6	1		650564-0	* SWITCH TG553FSB-1	1	PC.
	2		650652-3	* SWITCH TG553FSB-1B	1	PC.
7			652045-0	+PAN HEAD SCREW M3.5X5	2	PC.
8	1		424015-7	* BUMPER	1	PC.
	2		424369-2	* BUMPER	1	PC.
9	1		450664-4	* HAMMER CASE COVER - N/L/A	1	PC.
	2		452393-5	* HAMMER CASE COVER	1	PC.
10			154590-6	HAMMER CASE COMPLETE	1	PC.
11			261108-7	NYLON WASHER 14	1	PC.
12			233943-3	RING SPRING 8	1	PC.
15			324921-5	ANVIL	1	PC.
16			324810-4	HAMMER	1	PC.
17			216001-0	STEEL BALL 3.5	24	PC.
18			267175-0	FLAT WASHER 24	1	PC.
19			234074-1	COMPRESSION SPRING 25	1	PC.
20			267766-7	CUP WASHER 14	1	PC.
21			216011-7	STEEL BALL 5.6	2	PC.
22			226336-1	SPUR GEAR 22	2	PC.
23			324552-0	SPINDLE	1	PC.
24			256253-1	PIN 5	2	PC.
25			267212-0	FLAT WASHER 12	1	PC.
26			227150-8	INTERNAL GEAR 51	1	PC.
27			213507-9	O RING 40	1	PC.
28			158145-9	BEARING BOX COMPLETE	1	PC.
		INC.	211140-1	BALL BEARING 6901LLB	1	PC.
29			638495-3	YORK UNIT	1	PC.
30	1		619194-6	ARMATURE - N/L/A	1	PC.
	2		619253-6	ARMATURE	1	PC.
31	1		194427-5	* CARBON BRUSH CB-440, 2PCS/SET, W/O ORIGIN - N/L/A	1	SET
	2		195021-6	* CARBON BRUSH CB-440 2PC/SET, W/ ORIGIN	1	SET
32			638498-7	BRUSH HOLDER COMPLETE	1	PC.
33			263032-0	RUBBER PIN 4	2	PC.
34			418981-8	REAR COVER	1	PC.
35			266130-9	TAPPING SCREW BIND PT 3X16	2	PC.
36			631693-8	LIGHT CIRCUIT	1	PC.
37			810292-1	CAUTION LABEL	1	PC.
41			424026-2	CUSHION	1	PC.
42			263036-2	RUBBER PIN 5	1	PC.
43			268184-2	PIN 1.5	1	PC.
44			213960-9	O RING 5	1	PC.

#### **ACCESSORIES**

- See catalogue or visit [www.makita.ca](http://www.makita.ca) for more accessories information -

A01	1		DC18RA	CHARGER DC18RA	1	PC.
	2		DC18RC	CHARGER DC18RC	1	PC.
A02			194205-3	18V LI-ION BATTERY BL1830	1	PC.

Item No	Type	Ref	Ref Part No	Description	Qty	Unit
A03	1		824753-5	PLASTIC CARRYING CASE	1	PC.
		INC.	419216-0	HANDLE	1	PC.
		INC.	419215-2A	PLASTIC CASE LID, TAB TYPE	1	PC.
		INC.	417724-5	LATCH	2	PC.
		INC.	413098-2	PLATE	4	PC.
		INC.	324207-7	SHAFT	1	PC.
	2		141205-4	PLASTIC CASE COMPLETE	1	PC.
		INC.	419216-0	HANDLE	1	PC.
		INC.	419215-2A	PLASTIC CASE LID, TAB TYPE	1	PC.
		INC.	417724-5	LATCH	2	PC.
		INC.	413098-2	PLATE	4	PC.
		INC.	324207-7	SHAFT	1	PC.
A04			450128-8	BATTERY COVER	1	PC.

**SERVICE CHANGES**

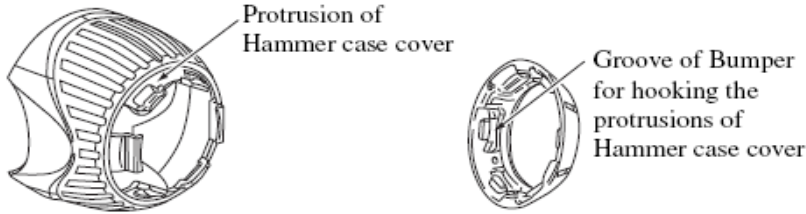
**1. Changes on Hammer Case Cover and Bumper**

Item No.	Description	Type 1	Type 2
8	Bumper	424015-7	424369-2
9	Hammer Case Cover	450664-4	452393-5

Above parts are completely interchangeable as a set.

Type1: Bumper is hooked with the grooves of Hammer case.

Type2: Bumper is hooked with the protrusions of Hammer case cover as illustrated below.

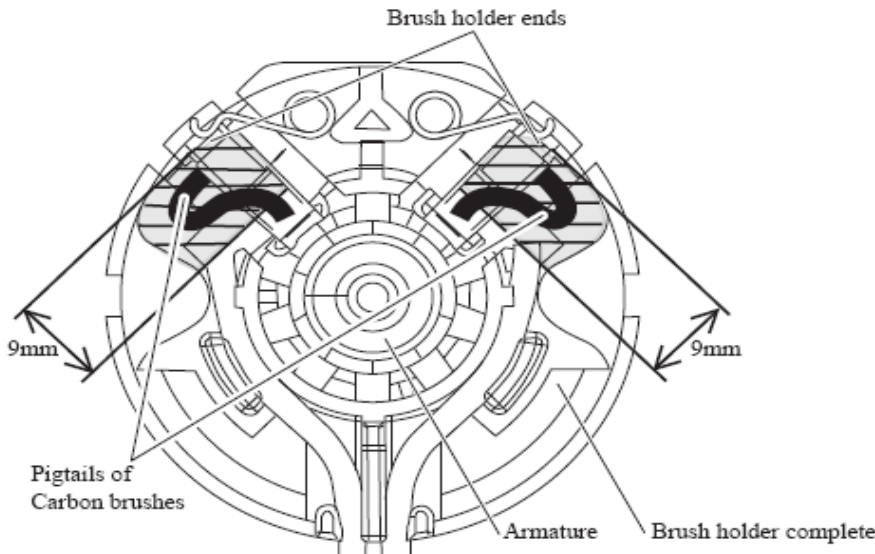


**2. Changes How to Assemble Carbon Brushes (This change applies to both Type 1 and 2)**

Item No.	Description	Type 1	Type 2
31	Carbon Brush	194427-5 (W/O ORIGIN)	195021-6 (W/ ORIGIN)

Do not protrude the pigtails of Carbon brushes from the specific spaces.

Refer to the following illustration.



**3. Changes on Switch, Terminal and Housing Set (Battery Protection Circuit)**

(T/l# 84038) (T/l# 91081)

Item No.	Description	Type 1	Type 2	Type 3
4	Terminal	643812-4	643843-3	643852-2
6	Switch	650564-0		650652-3

Above parts are completely interchangeable as a set.

**Service Note:**

- Use TYPE 3 parts for repair of the models manufactured on or after July 2011 with using Yellow lead wire between Switch and Terminal.
- Use TYPE 2 (or TYPE 1) parts for repair of the models manufactured before July 2011 without using Yellow lead wire between Switch and Terminal.

**\*\* See Technical Information #91081 for Wiring Diagram Change**